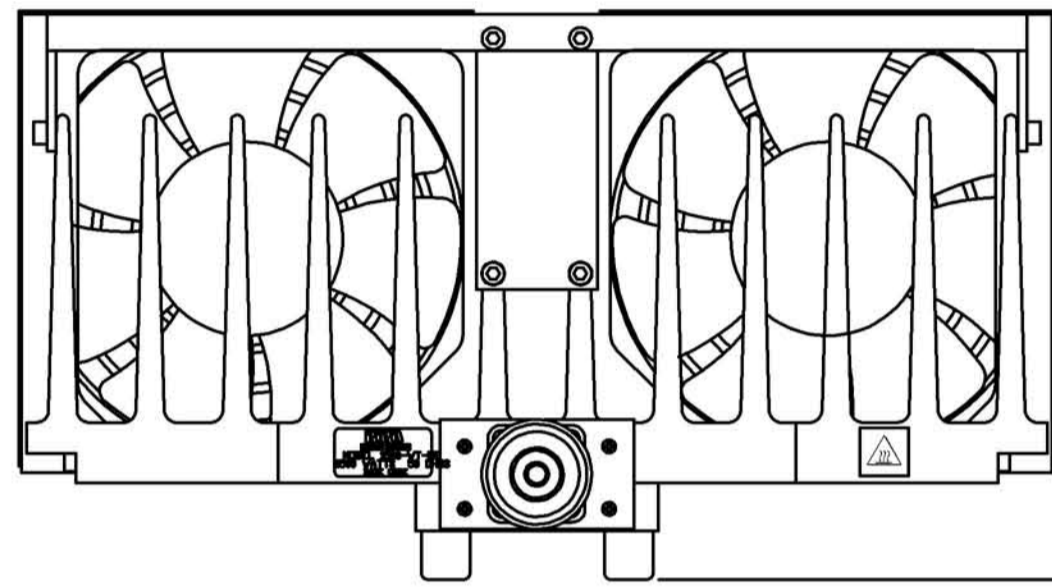
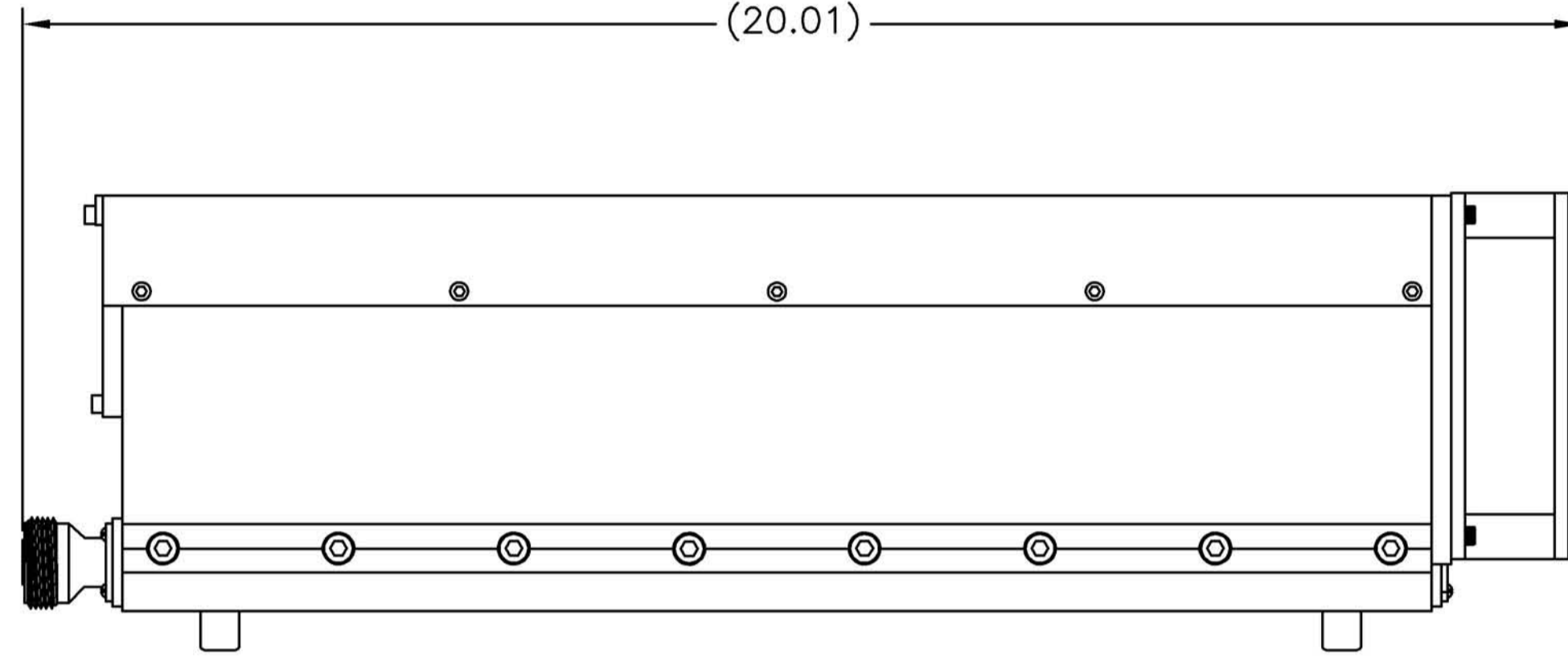


SPECIFICATIONS:
 IMPEDANCE: 50 OHMS NOMINAL
 FREQUENCY RANGE: DC TO 2.4GHz
 VSWR: DC TO 1GHz AT 1.10:1 MAX.
 1GHz TO 2.4 GHz AT 1.25:1 MAX.
 POWER RATING: 1500 WATTS AVG. 4kW PEAK
 - WITH 210 CFM AIR FLOW AT 25°C.
 COOLING FIN AND SHROUD: ALUMINUM, BLACK ANODIZED
 COVER: ALUMINUM, BLACK ANODIZED
 CONNECTOR: 7/16 DIN FEMALE, TRI-ALLOY PLATED
 FANS: +12VDC, BRUSHLESS (ACTIVATED ONLY WHEN UNIT REACHES +70°C.)
 - 90 VAC TO 264 VAC, 47 Hz TO 63 Hz, UNIVERSAL TRANSFORMER INCLUDED
 OPERATING POSITION: HORIZONTALLY (STANDOFFS DOWN)
 NOMINAL SIZE: APPROX. 20.01" L X 10.63" W X 5.97" H
 WEIGHT: APPROX. 30 LBS

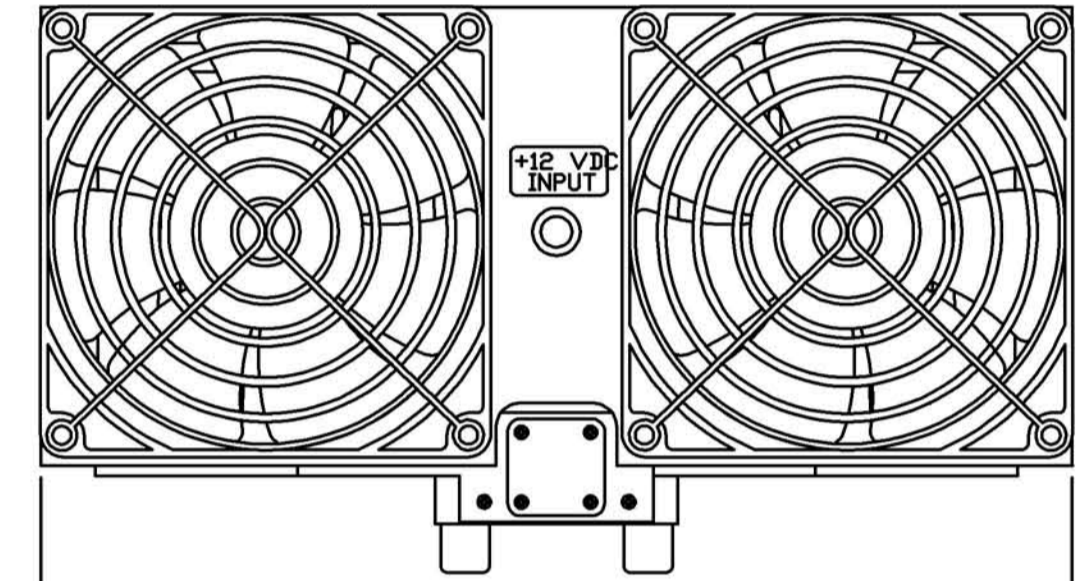
REVISIONS				
ZONE	REV	DESCRIPTION	DATE	APPROVED
	A	DRAWING RELEASE PER DMD	1-25-06	



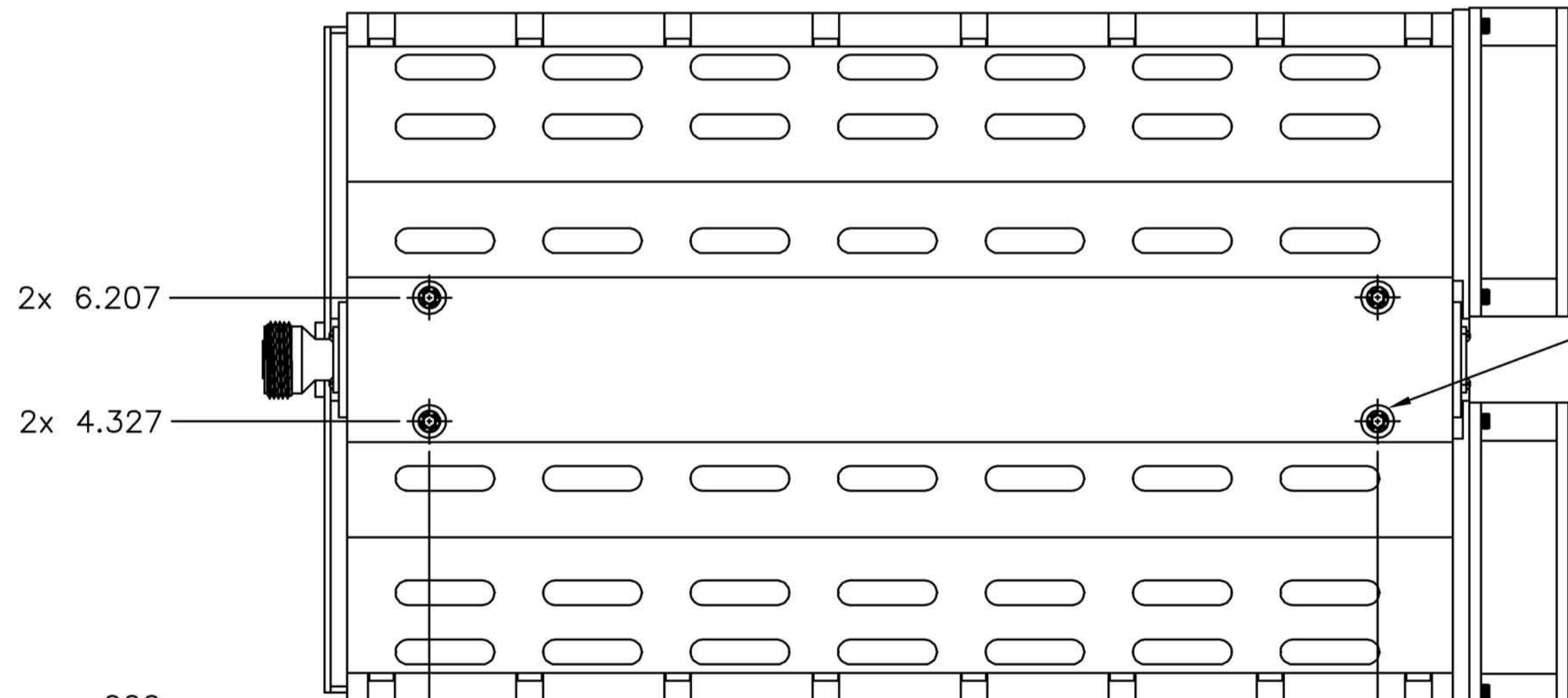
(5.97)



(20.01)



(10.63)



2x 6.207

2x 4.327

.000

.000

2x 1.250

2x 15.655

4x 1/4-20UNC-2B
 REMOVABLE STANDOFFS

DIMENSIONS HEREON ARE FOR CUSTOMER
 CONVENIENCE AND REFERENCE ONLY.
 TOLERANCE TO BE APPLIED ONLY WHERE
 INDIVIDUALLY STATED ON THE RESPECTIVE
 DIMENSION. -DO NOT SCALE DRAWING-

UNLESS OTHERWISE SPECIFIED DIMENSIONS ARE IN INCHES		MILLIMETERS 3/16" ±.4 3/32" ±.12		THIS DRAWING IS THE PROPERTY OF THE BIRD ELECTRONIC CORPORATION. THE DESIGNS AND SPECIFICATIONS DISCLOSED HEREON ARE PROPRIETARY AND SHALL NOT BE REPRODUCED, NOR COPIED, NOR USED AS THE BASIS FOR THE MANUFACTURE OR SALE OF APPARATUS OR DEVICES WITHOUT THEIR EXPRESS WRITTEN CONSENT.	
TOLERANCES ARE: FRACTIONS DECIMALS ANGLES ±1/64 .005 ±.010 ±.30° ±.005 .005 ±.005		DO NOT SCALE DRAWING		BIRD Electronic Corporation Cleveland (Solon) Ohio USA	
APPROVALS		DATE		TITLE	
DRAWN D.M.RINK		1-26-06		TERMINATION, FORCED AIR COOLED 7/16 DIN FEMALE, 1500W	
CHECKED D. DOWNING		1-26-06		SIZE	FORM NO.
APPROVED D. DOWNING		1-26-06		D	70998
MATERIAL		SCALE		1:1	FORM CODE AT1
FINISH		SHEET		1 OF 1	

DWG NO. 1500-WT-FE REV A